

**INSTALLATION INSTRUCTIONS FOR INSTALLING AN ELECTRIC COUNTER ASSEMBLY
INSTALLATION KIT IN A NATIONAL VENDORS[®], MODULINE SERIES 21CE OR A
CROWN SEVENTY TWO[®], SERIES OR GOLDEN FURNITURE LINE 21CE-72
ELECTRIC CANDY MERCHANDISER**

These Instructions are divided into two Sections. Section I covers the procedure for installing an Electric Counter Assembly Installation Kit in a Moduline Series 21CE Electric Candy Merchandiser. Section II covers the procedure for installing an Electric Counter Assembly Installation Kit in a Crown Seventy Two, Series or Golden Furniture Line 21CE-72 Electric Candy Merchandiser.

Read the appropriate instructions carefully and thoroughly before installing the Kit. Retain these instructions for part number and installation information.

The directions right or left, as given in the Instructions, refer to the operator's right or left as he looks at the front of the Merchandiser.

Kit, Part Number 121-0216, applies ONLY to the 64 inch Moduline Series 21CE and contains the following parts:

Part Number	Description	Quantity
121-0206	Electric Counter Assembly	1
9900-019	No. 8-32 x 3/8 RHS Screw	3
9900-033	No. 8 External Tooth Lockwasher	3
127-0213	Installation Instructions	1
	* * *	

Kit, Part Number 127-0214, applies ONLY to the 72 inch Crown Seventy Two Series or Golden Furniture Line 21CE-72 and contains the following parts:

Part Number	Description	Quantity
127-0212	Electric Counter Assembly	1
9900-174	No. 8-32 x 5/16 RHS T/C Screw	2
9900-033	No. 8 External Tooth Lockwasher	2
127-0213	Installation Instructions	1
	* * *	

SPECIAL TOOLS REQUIRED:
9/64 inch Drill Bit
Drill

**SECTION I
ELECTRIC COUNTER ASSEMBLY INSTALLATION INSTRUCTIONS FOR THE MODULINE SERIES
21CE ELECTRIC CANDY MERCHANDISER**

TO INSTALL THE KIT

1. Unlock and open the Cabinet Door.
2. Install the Electric Counter Assembly, Part Number 121-0206, included in the Kit, in the lower front, left hand corner of the Merchandiser, directly under the three mounting holes in the Cabinet Center Pan. See Figure 1.
3. Attach the Electric Counter Assembly to the Cabinet Center Pan using three No. 8-32 x 3/8 Round Head Screws, Part Number 9900-019 and three No. 8 External Tooth Lockwashers, Part Number 9900-033, both included in the Kit. Install the three No.8-32 x 3/8

Round Head Screws and three No. 8 External Tooth Lockwashers from the top of the Cabinet Center Pan. See Figure 1.

4. Place the Counter Cable behind the Cabinet Brace and connect the Counter Cable to the Auxiliary Receptacle in the Control Box. See Figure 1.
5. Close and lock the Cabinet Door.

NOTE

The Electric Counter Assembly will only record vends when the Cabinet Door is closed.

6. Test vend the Merchandiser.

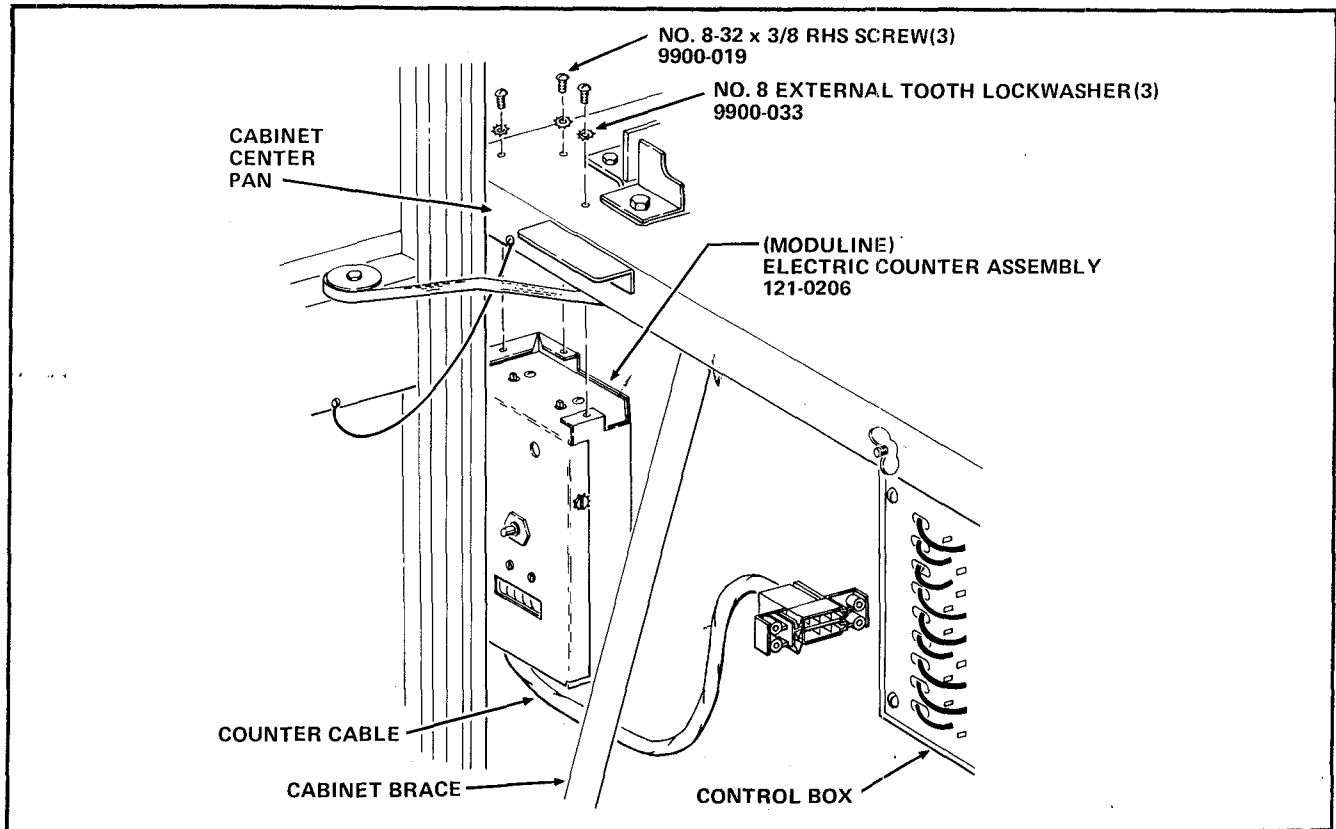


FIGURE 1

SECTION II
ELECTRIC COUNTER ASSEMBLY INSTALLATION INSTRUCTIONS FOR THE CROWN SEVENTY TWO,
SERIES OR GOLDEN FURNITURE LINE 21CE-72 ELECTRIC CANDY MERCHANDISER.

TO INSTALL THE KIT

1. Unlock and open the Cabinet Door.

NOTE

1. *The Merchandiser will have either an Interlock Switch Assembly or a By-Pass Interlock Switch Assembly, both located under the Delivery Pan. The Switch Plunger on an Interlock Switch Assembly CANNOT be pulled out to energize the circuitry to the Merchandiser. See Figure 2. The Switch Plunger on a By-Pass Interlock Switch Assembly CAN be pulled out to energize the circuitry to the Merchandiser. See Figure 3. Determine if the Merchandiser has an Interlock Switch Assembly or a By-Pass Interlock Switch Assembly.*
2. *Steps 2 through 4 apply only to Merchandisers equipped with a By Pass Interlock Switch Assembly.*
2. Push the Switch Plunger on the By-Pass Interlock Switch Assembly to the IN position and release the Switch Plunger. This will deenergize the circuitry to the Merchandiser. See Figure 3.

3. Locate and mark points 7/16 of an inch directly under the center of both holes in the lower right front Panel of the Cabinet. See Figure 3.
4. Using a 9/64 inch Drill Bit, drill two holes in the lower right front Panel of the Cabinet through the points scribed in Step 3. See Figure 3.
5. Install the Electric Counter Assembly, Part Number 127-0212, included in the Kit, in the Cabinet making sure the Mounting Flange of the Electric Counter Assembly is in front of the lower right front Panel in the Cabinet. Adjust the Counter Stabilizer Bracket so it fits around the bottom of the Interlock Box. See Figure 2 or 3.
6. Attach the Electric Counter Assembly to the lower right front Panel in the Cabinet with two No. 8-32 x 5/16 Round Head Thread Cutting Screws, Part Number 9900-174 and two No. 8 External Tooth Lockwashers, Part Number 9900-033, both included in the Kit. See Figure 2 or 3.
7. Remove and retain the two Wing Nuts which attach the Control Box to the Cabinet. See Figure 4.

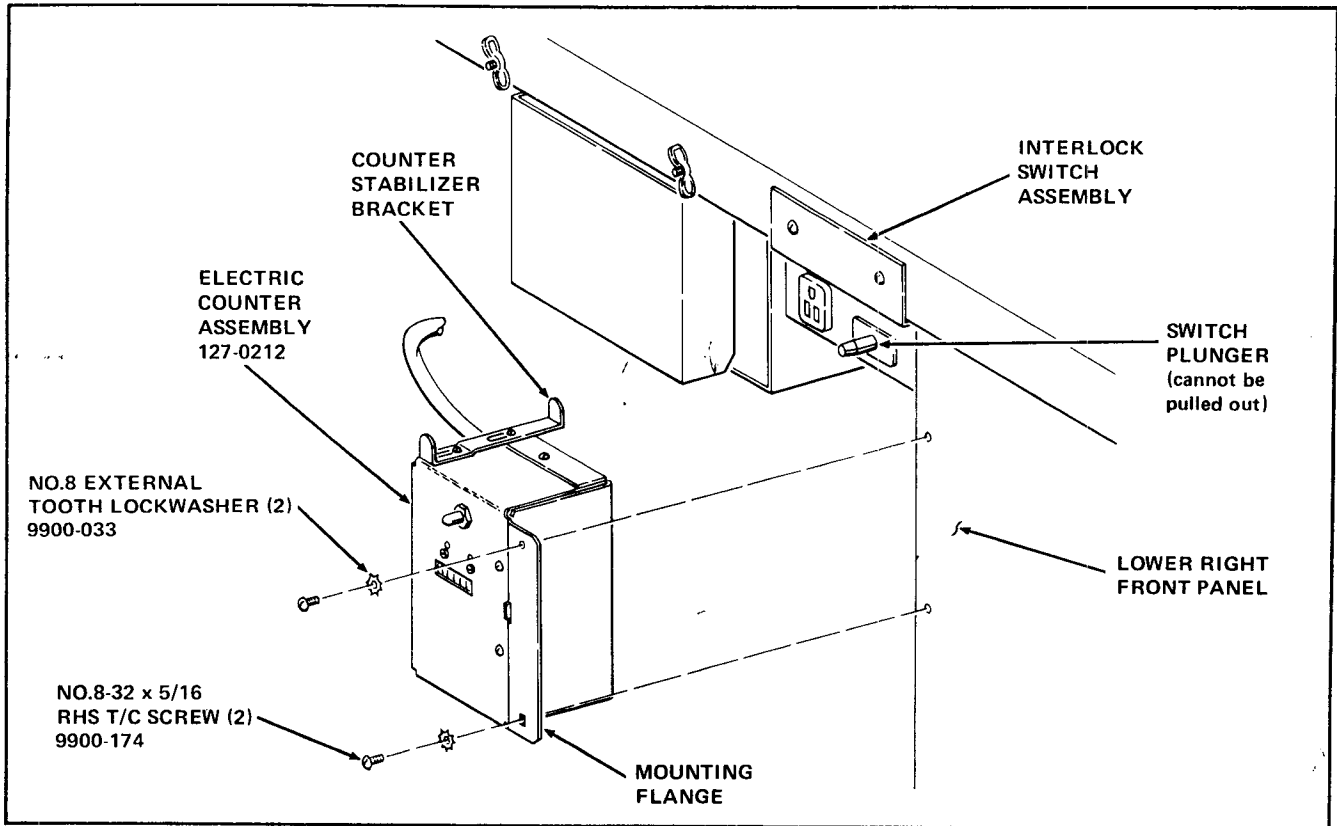


FIGURE 2

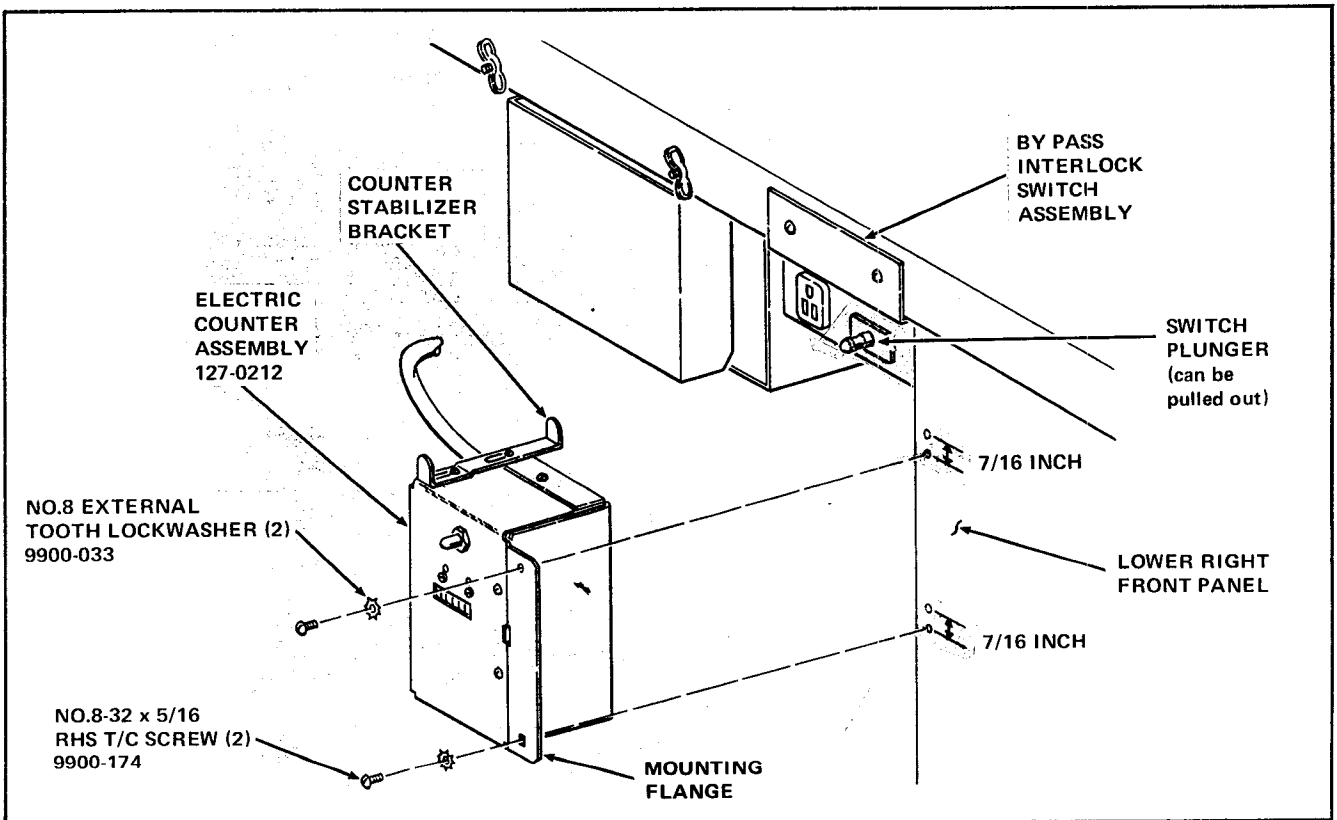


FIGURE 3

8. Lower the front end of the Control Box and place the Counter Cable of the Electric Counter Assembly across the top of the Control Box. See Figure 4.
9. Raise the Control Box to its original position and attach with the two Wing Nuts removed in Step 7. See Figure 4.
10. Connect the Counter Cable to the Auxiliary Receptacle in the Control Box. See Figure 4.
11. Close and lock the Cabinet Door.

NOTE

The Electric Counter Assembly will only record vends when the Cabinet Door is closed.

12. Test vend the Merchandisers.

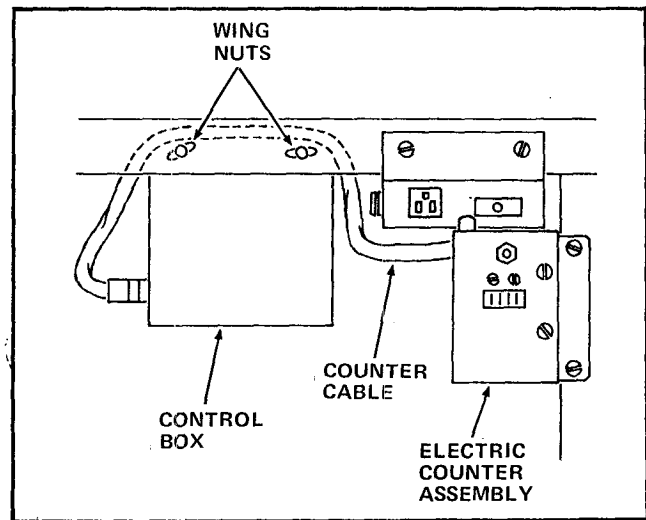


FIGURE 4